

**Model No. OT-ES008**

**Industrial 8 port PoE+ Ethernet Switch**

**Product User Manual**

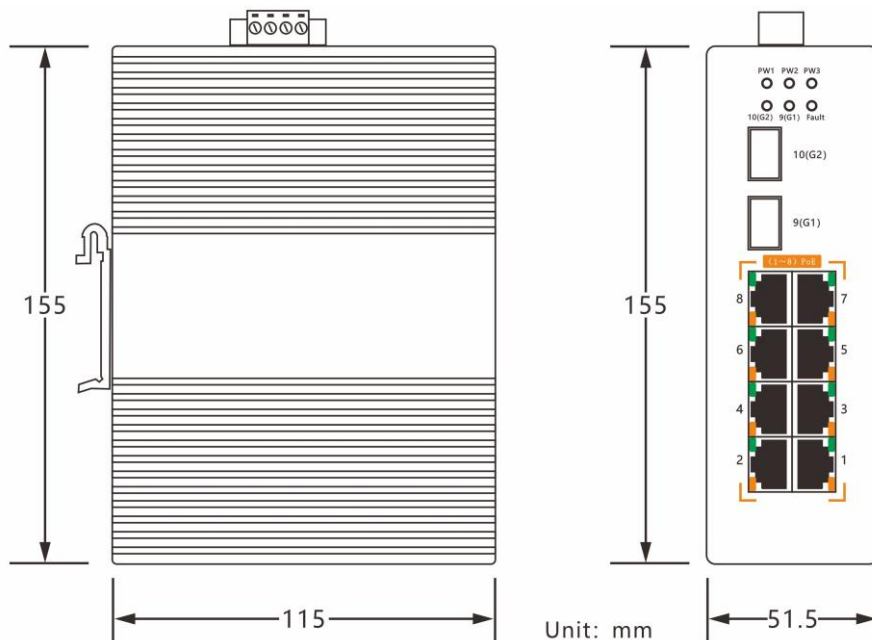


**OT-ES008 Industrial Ethernet Switch** supports 8 x 10/100/1000Base-TX ports (with 8 ports supporting PoE power supply) and 2 x 1000Base-X SFP optical ports. It complies with the IEEE802.3af or IEEE802.3at protocols, enabling power supply over Ethernet to standard PD devices connected, meeting users' rapid networking demands. The port surge protection design is particularly suitable for high-traffic, real-time outdoor environments.

## Features

- ☆ All 8 x 10/100/1000Base-TX ports support PoE power supply
- ☆ Comply with IEEE802.3af or IEEE802.3at protocols
- ☆ All ports are capable of full wire-speed forwarding to ensure non-blocking message transmission
- ☆ Support IEEE802.3X full-duplex flow control and Backpressure half-duplex flow control
- ☆ Features port auto-flip (Auto MDI/MDIX) function
- ☆ Support power supply overload and reverse polarity protection
- ☆ DIN-rail and wall-mounting design

## Dimension

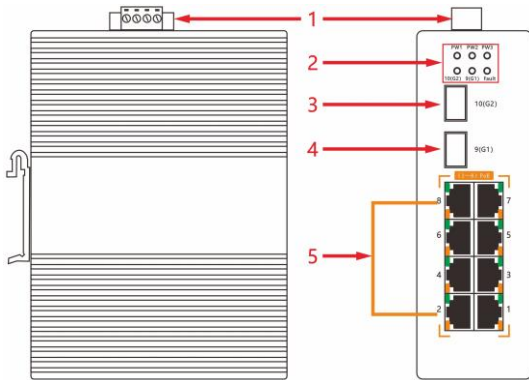


## Technical Parameter

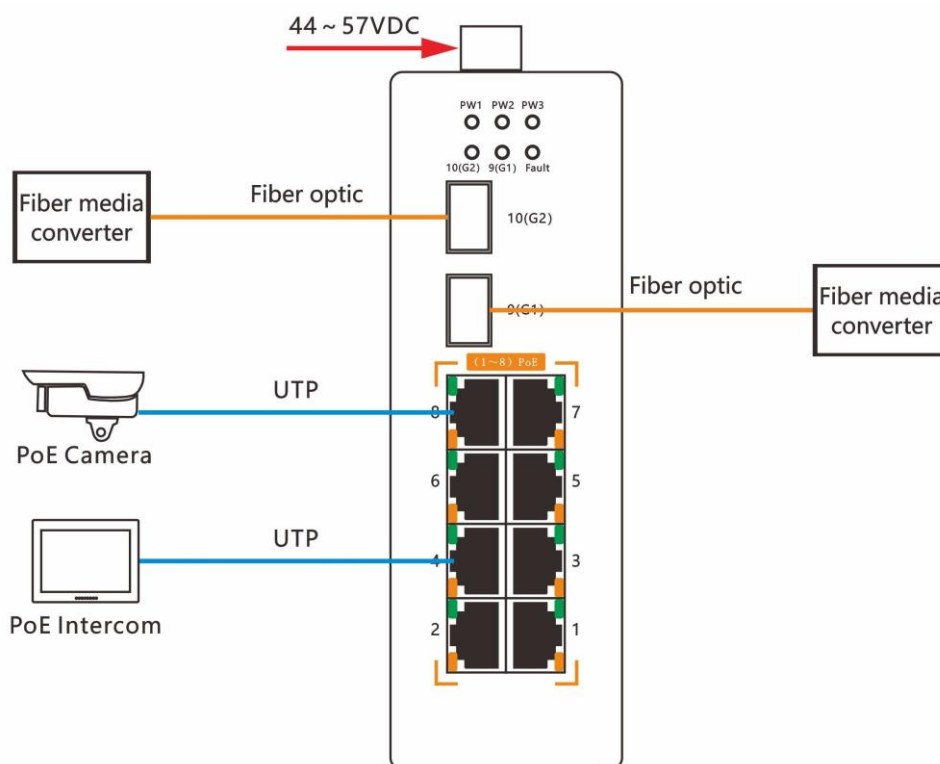
Category		Description
Interface	Electrical Port	10/100/1000Base-TX RJ45, auto-negotiation
	Optical Port	1000Base-X SFP port
	Power Interface	5.08mm industrial terminal
Standard Conformance	Standard Compliance	IEEE802.3、IEEE802.3u、IEEE802.3ab、IEEE802.3z、IEEE 802.3x IEEE802.3af、IEEE802.3at
Power	Power Input	DC 44-57V input
	Overload Protection	Support
Physical Characteristic	Installation	DIN-rail/ wall-mount
	Weight	1100g
Operating Environment	Operating Temperature	-40°C~85°C
	Storage Temperature	-45°C~85°C
	Operating Humidity	5%~95% (Non-condensation)

## Installation Instructions

NO	Step
1	44–57VDC power input port, please pay attention to the polarity (1)
2	Fiber and Ethernet port power status indicator (2)
3	Fiber optic interface (3)
4	Fiber optic interface (4)
5	PoE Ethernet port interface (5)



# Connection Diagram



Shaoxing Ourten Electronics Co., Ltd.

#1 Liando U Valley, No. 1999 Wuxing West Road, Shangyu, Zhejiang, China

Tel: +86-21-5888 9980 (+86-575-8213 7256); Fax: +86-575-8212 7256

Email: sales@ourten.com

www.ourten.com

Thank you for choosing Ourten!