

Model OT-ES005

Industrial Ethernet Switch

Product User Manual

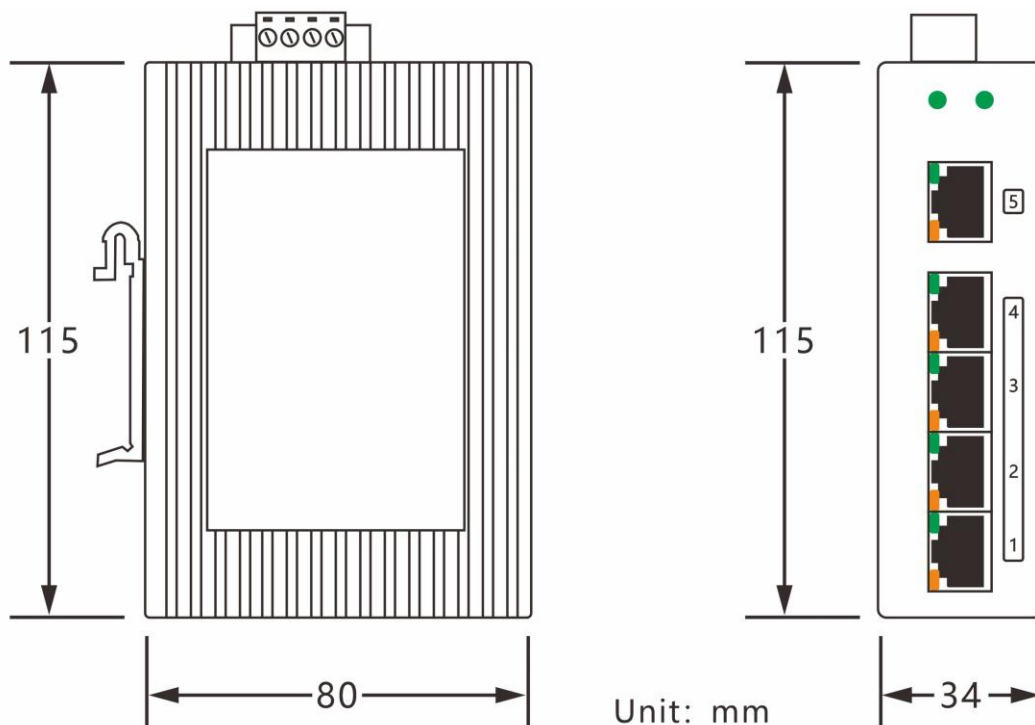


OT-ES005 Industrial Ethernet Switch supports 5 x 10/100Base-TX ports, dual power redundancy input. Its wide operating temperature range and port surge protection are especially suitable for high-traffic, real-time outdoor environments. Widely applicable in industrial automation control, roads, schools, residential areas, rail transport, and power monitoring scenarios.

Features

- ☆ Support 5 x 10/100Base-TX network ports
- ☆ Support IEEE802.3/802.3u/802.3x storage and forwarding methods
- ☆ All ports have wire-speed forwarding capability to ensure non-blocking packet forwarding
- ☆ Support port auto-negotiation (Auto MDI/MDIX) function
- ☆ Support redundant power input with overload and reverse polarity protection
- ☆ Support full-load operation within a -40 to 85°C temperature range
- ☆ Low power consumption with a fanless design
- ☆ High strength corrugated profile casing, rail-mounted installation, IP40 protection level

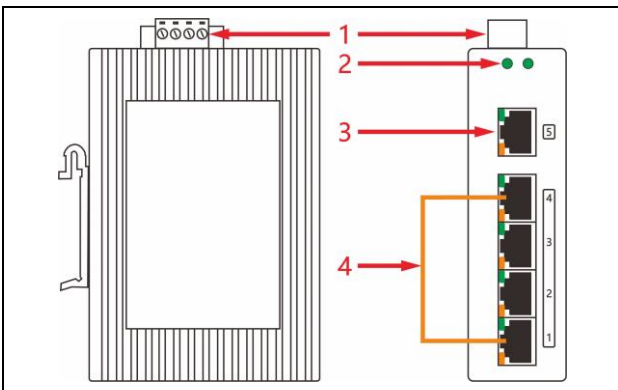
Dimension



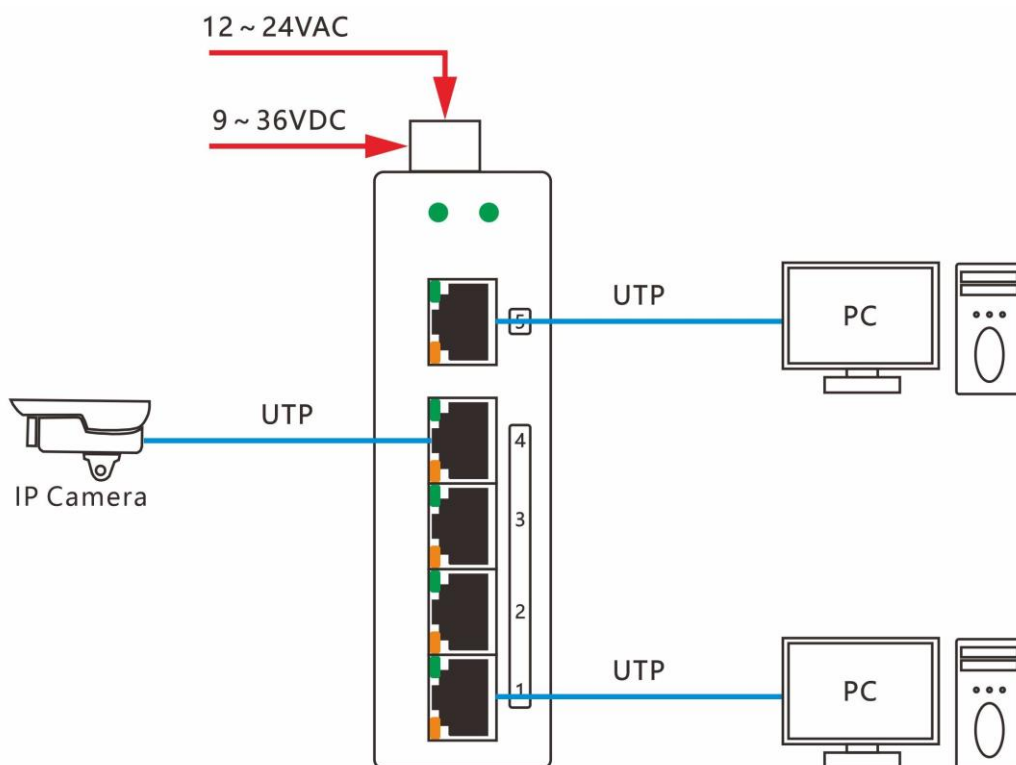
Technical Parameter

Category		Description
Interface	Electrical Port	10/100Base-TX RJ45, auto Negotiation
	Power Interface	5.08mm industrial terminal
Standards Conformance	Standards Compliance	IEEE802.3、IEEE802.3u、IEEE 802.3x
Power	Power Input	12-24VAC / 9-36VDC redundant input
	Idle Current	0.16A@12VDC (max)
	Full load Current	0.37A@12VDC (max)
Mechanical Characteristic	Enclosure	High-strength corrugated profile case
	Protection Rating	IP40
	Installation	DIN-rail mounting
	Weight	550g
Operating Environment	Operating Temperature	-40°C~85°C
	Storage Temperature	-45°C~85°C
	Operating Humidity	5%~95% (Non-condensation)

Installation Instructions

		NO	Step
1	Low voltage power input port, please pay attention to the polarity (1)		
2	Power status indicator of network port (2)		
3	Network interface (3)		
4	Network interface (4)		

Connection Diagram



Shaoxing Ourten Electronics Co., Ltd.

#1 Liando U Valley, No. 1999 Wuxing West Road, Shangyu, Zhejiang, China

Tel: +86-21-5888 9980 (+86-575-8213 7256); Fax: +86-575-8212 7256

Email: sales@ourten.com

www.ourten.com

Thank you for choosing Ourten!