

Model OT-ES004

Industrial Ethernet Switch

Product User Manual



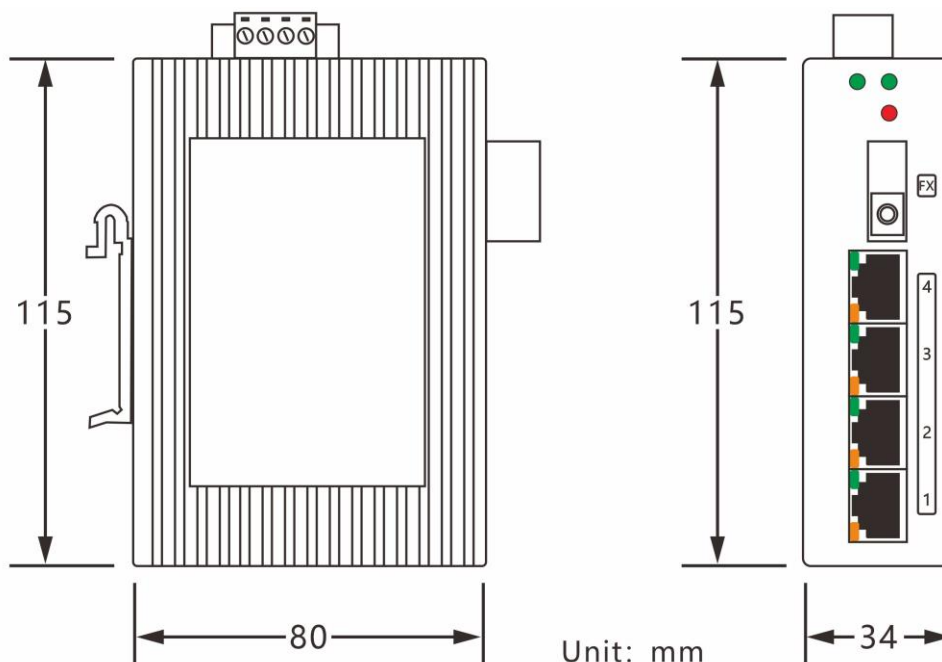
OT-ES004 Industrial Ethernet Switch supports 4 x 10/100Base-TX electrical port and 1 x 100Base-X optical port.

The switch's wide operating temperature range and port surge protection make it particularly suitable for high-traffic, real-time outdoor environments. It can be widely used in industrial automation control, roads, schools, residential communities, rail transport, and power monitoring.

Features

- ☆ Complies with IEEE802.3/802.3u/802.3x store-and-forward mechanism
- ☆ All ports are capable of wire-speed forwarding to ensure non-blocking message transmission
- ☆ Features port auto-flip (Auto MDI/MDIX) function
- ☆ Support redundant power input with overload and reverse polarity protection
- ☆ Support full-load operation in a temperature range of -40 to 85°C
- ☆ Low power consumption with a fanless design

Dimension

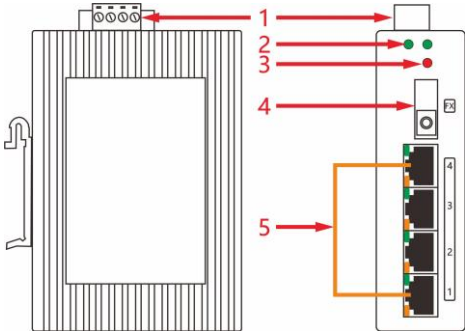


Technical Parameter

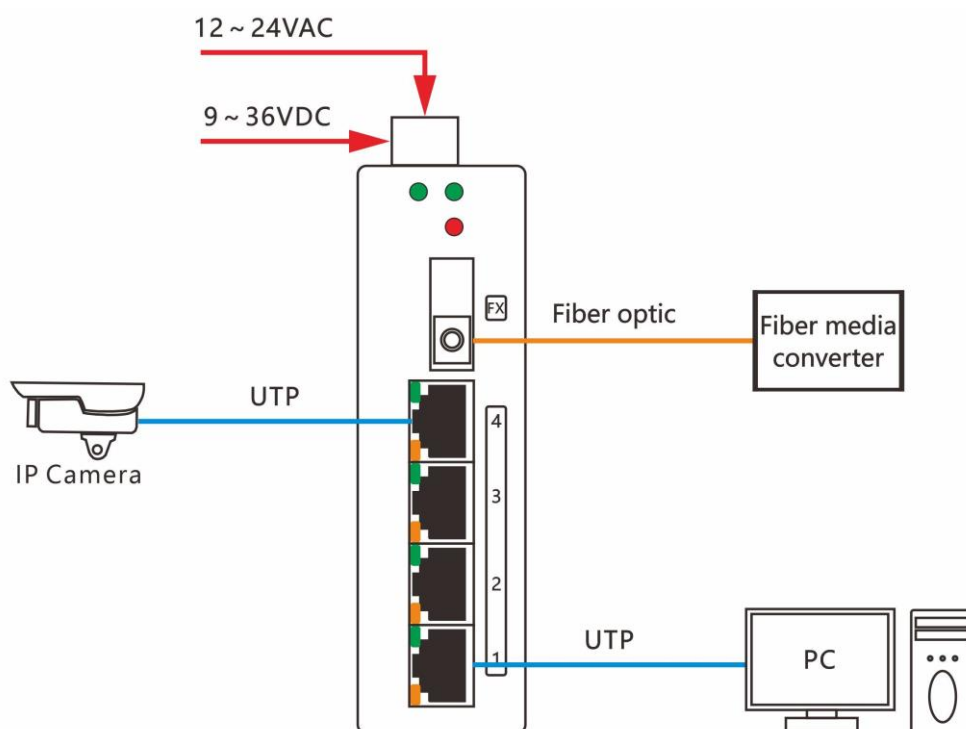
Category		Description
Interface	Electrical Port	10/100Base-TX RJ45, auto Negotiation
	Optical Port	100Base-X (SC standard, ST/FC optional)
	Power Interface	5.08mm industrial terminal
Standards Conformance	Standards Compliance	IEEE802.3、IEEE802.3u、IEEE 802.3x
Power	Power Input	AC 12-24V/DC 9-36V redundant input
	Idle Current	0.16A@DC12V (max)
	Full load Current	0.22A@DC12V (max)
Mechanical Characteristic	Enclosure	High-strength corrugated profile case
	Protection Rating	IP40
	Installation	DIN-rail mounting
	Weight	600g
Operating Environment	Operating Temperature	-40°C~85°C
	Storage Temperature	-45°C~85°C
	Operating Humidity	5%~95% (Non-condensation)

Installation Instructions

NO	Step
1	Low voltage power input port, please pay attention to the polarity (1)
2	Ethernet port power status indicator (2)
3	Fiber port power status indicator (3)
4	Fiber optic interface (4)
5	Ethernet port interface (5)



Connection Diagram



Shaoxing Ourten Electronics Co., Ltd.

#1 Liando U Valley, No. 1999 Wuxing West Road, Shangyu, Zhejiang, China

Tel: +86-21-5888 9980 (+86-575-8213 7256); Fax: +86-575-8212 7256

Email: sales@ourten.com

www.ourten.com

Thank you for choosing Ourten!