

Single Phase Power Surge Protection Module
Model Number: SP-M60-385-2P

Product Description:

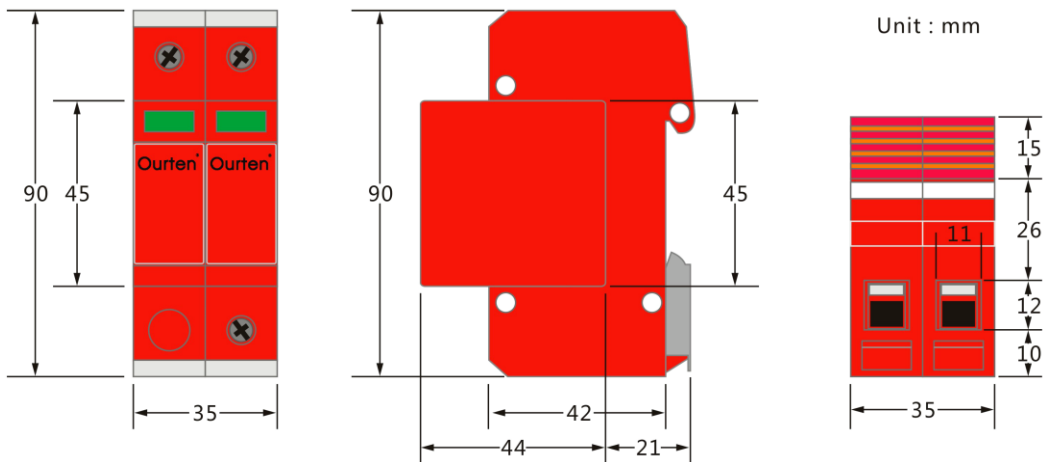
SP-M60-385-2P is the single phase power surge protection module. They are widely used for protection of power distribution stations, power distribution room, power distribution cabinets, AC or DC power distribution panel, switch boxes and various other important equipments vulnerable to lightning.



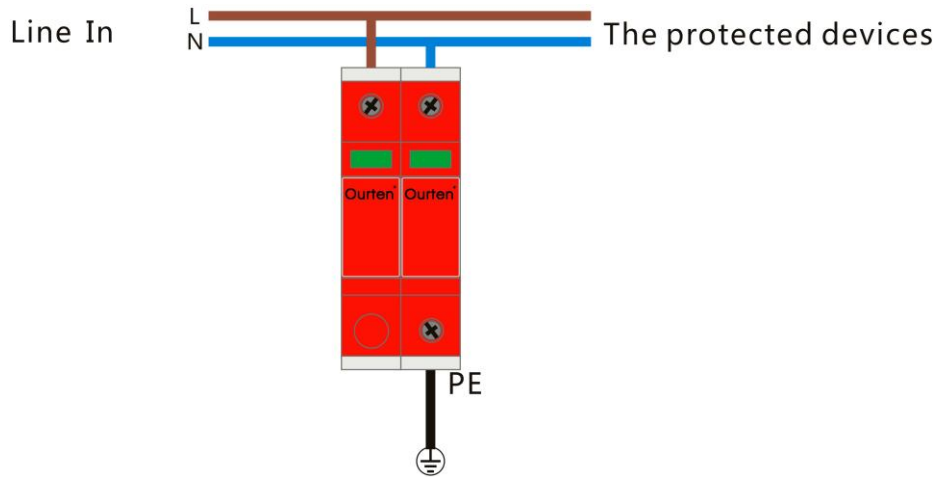
Technical Parameter:

Working Voltage Un (V)	220
Limiting Voltage Up (V)	385
Normal Discharge Current In (kA)	30
Maximum Discharge Current Imax (kA)	60
Response Time (ns)	<25
Leakage Current (μA)	≤20
Protection Level Up (kV)	≤2.1
Terminal Type	Screw Terminal
Weight (g)	210
Working Temperature	-40°C ~ +80°C
Working Humidity	<95% Non-condensation

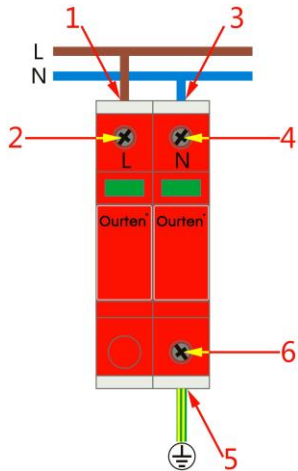
Dimension:



Installation Diagram:



Installation Instructions:



No	Step
1	Put the wire L of single phase power line in the screw clip (1)
2	Turn the nut clockwise, and fix the wire (2)
3	Put the wire N of single phase power line in the screw clip (3)
4	Turn the nut clockwise, and fix the wire (4)
5	Put the ground lead in the crew clip (5)
6	Turn the nut clockwise, and fix the wire (6)

Use Tips:

1. This product is connected in parallel. Used with the leakage protection switch, the effect is much better.
2. Do not install power surge protection module with electricity.
3. The line connected into power surge protection module should be as short as possible, and should be non-intertwining.
4. PE lines of power surge protection module must be reliable connection with the ground lead of lightning protection system. Ground lead should be shortness, thickness and straightness ($4 \text{ mm}^2 < \text{our recommendation} < 50 \text{ mm}^2$).
5. If any failure occurs, the green status indicator becomes white color, then the power surge protection module should be repaired or replaced in time to ensure the safety of the protected equipment.
6. If device fails, do not disassemble or repair it by yourself. Please contact us timely.