

**Audio Signal Surge Protector
Model Number: SP-24DC10-RJ11**

Product Description:

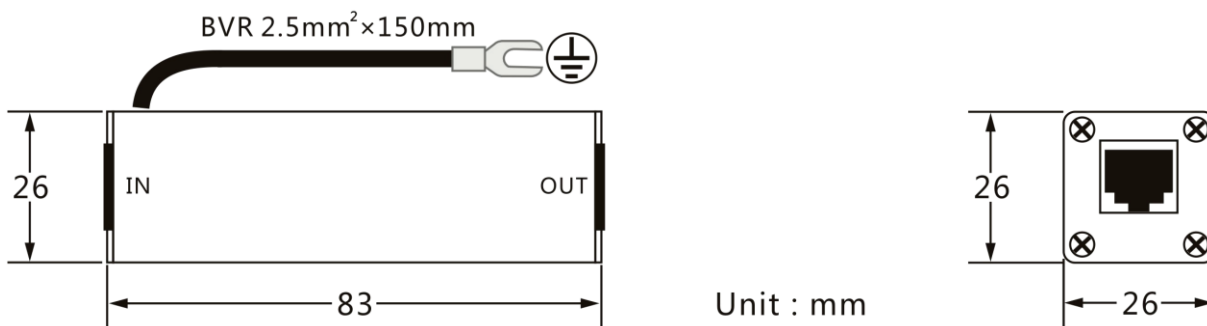
SP-24DC10-RJ11 audio surge protector is mainly used for preventing lightning and over-voltage which intrude into the audio equipment (controlled switch, fax equipment, modem, emergency telephone, telecom, etc).



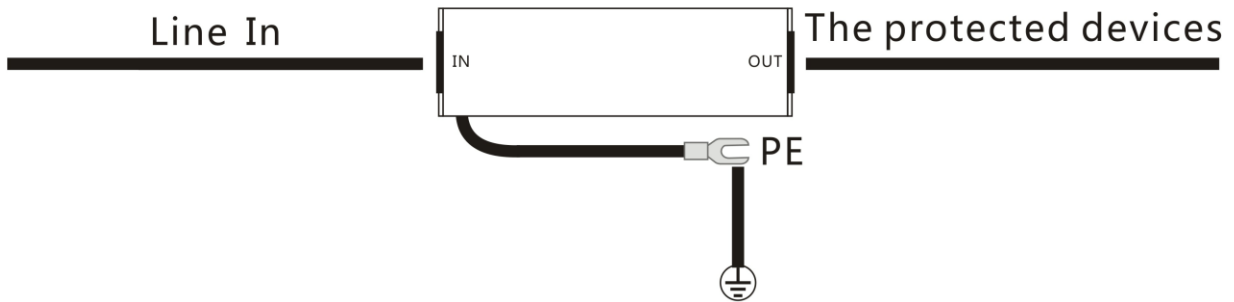
Technical Parameter:

Working Voltage Un (V)	24
Limiting Voltage Up (V)	40
Normal Discharge Current In (kA)	5
Maximum Discharge Current Imax (kA)	10
Response Time (ns)	1
Insert Loss (dB)	≤0.2
Transmission Rate (bit/s)	10M
Terminal Type	RJ11
Weight (g)	85
Working Temperature	-40°C ~ +80°C
Working Humidity	<95% Non-condensation

Dimension:



Installation Diagram:



Installation Instructions:

	No	Step
	1	Connect the telephone line to IN (1)
	2	Connect the protected device to OUT (2)
	3	Connect ground lead (3) to the grounding device

Use Tips:

1. This product is connected in series and should be installed in dry and dustproof environment.
2. Please select the products same as interface type of protected device.
3. IN is input terminal and OUT is the output terminal on surge protector. Input terminal connects outside line while output terminal is connected to input of protected devices.
4. PE lines of surge protector must be reliable connection with the ground lead of lightning protection system. Ground lead should be shortness, thickness and straightness ($4 \text{ mm}^2 < \text{our recommendation} < 50 \text{ mm}^2$).
5. During the period of use, surge protector should be inspected regularly. If any failure occurs, it should be repaired or replaced in time to ensure the safety of the protected equipment.
6. If device fails, do not disassemble or repair it by yourself. Please contact us timely.