

24-Channel PoE Surge Protector
Model Number: SP-005POE-RJ45/8-24

Product Description:

SP-005POE-RJ45/8 -24 is 24-channel PoE surge protector. It is widely used for lightning and overvoltage protection, lightning and overvoltage invade into the devices along the network cable in telecom, communication, traffic, petrochemical and industrial control system. It can support IEEE 802.3af/at standard 1000Mbps network devices, such as network switches, server, router, MODEM, PC and so on, it can be directly installed in network cabinet.



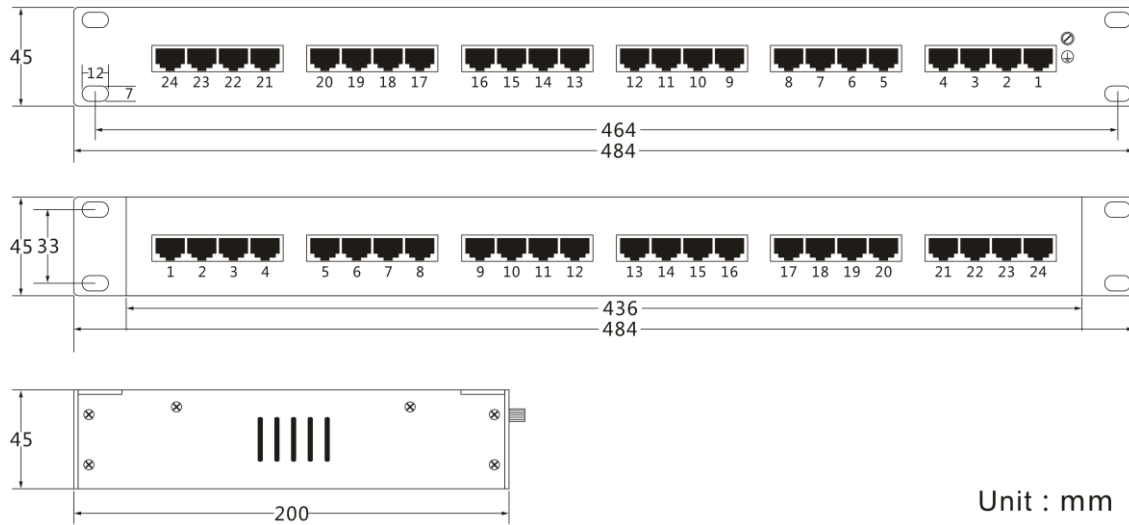
Product Features:

- ◆ Compatible for 10/100/1Gigabit PoE and network
- ◆ Support 1, 2, 3, 6 or 4, 5, 7, 8 power line protected at the same time
- ◆ Reasonable circuit design, very low insertion loss
- ◆ Special signal isolation technology, reduce network devices strike from surge

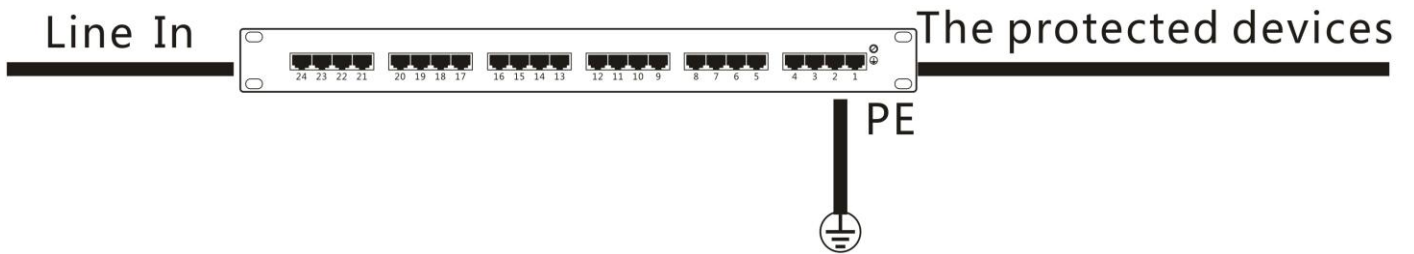
Technical Parameter:

Signal Type	Network	Power
Working Voltage Un (V)	6/12	48
Limiting Voltage Up (V)	20	60
Normal Discharge Current In (kA)	5	
Maximum Discharge Current I _{max} (kA)	10	
Response Time (ns)	1	
Insert Loss (dB)	≤0.2	
Transmission Rate (bit/s)	1000Mx24 port	
Terminal Type	RJ45	
Net Weight (kg)	2.55	
Working Temperature	-40℃ ~ +80℃	
Working Humidity	<95% Non-condensation	

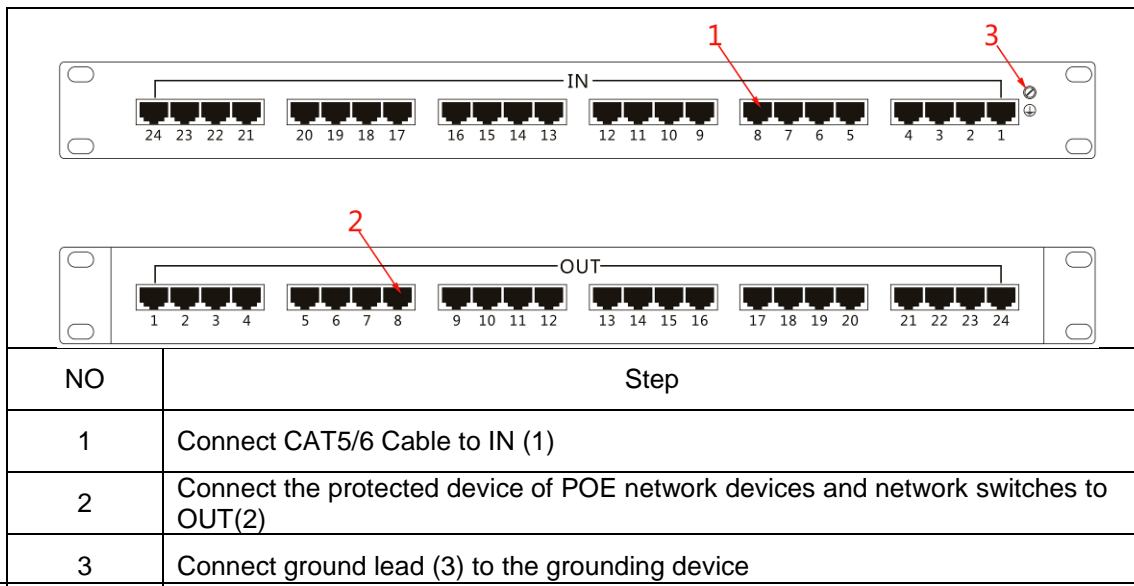
Dimension:



Installation Diagram:



Installation Instructions:



Use Tips:

1. This product is connected in series and should be installed in dry and dustproof environment.
2. Please select the products same as interface type of protected device.
3. IN is input terminal and OUT is the output terminal on surge protector. Input terminal connects outside line while output terminal is connected to input of protected devices.
4. PE lines of surge protector must be reliable connection with the ground lead of lightning protection system. Ground lead should be shortness, thickness and straightness ($4 \text{ mm}^2 < \text{our recommendation} < 50 \text{ mm}^2$).
5. During the period of use, surge protector should be inspected regularly. If any failure occurs, it should be repaired or replaced in time to ensure the safety of the protected equipment.
6. If device fails, do not disassemble or repair it by yourself. Please contact us timely.