

8-Channel Passive Video Hub
Model Number: SJ-V-P8

Product Description:

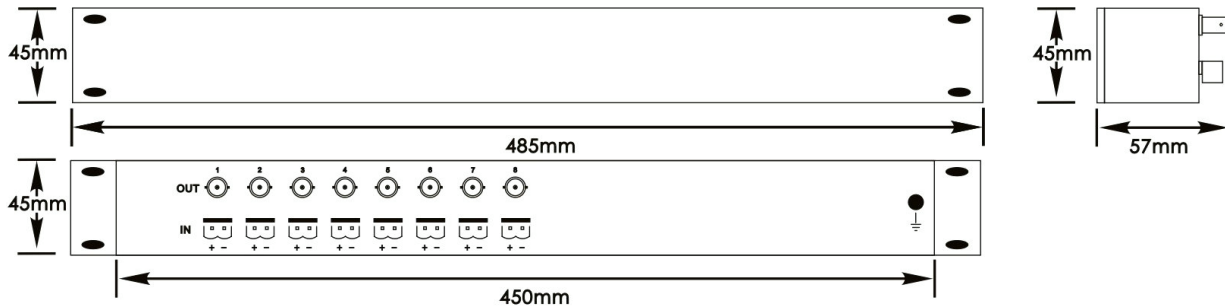
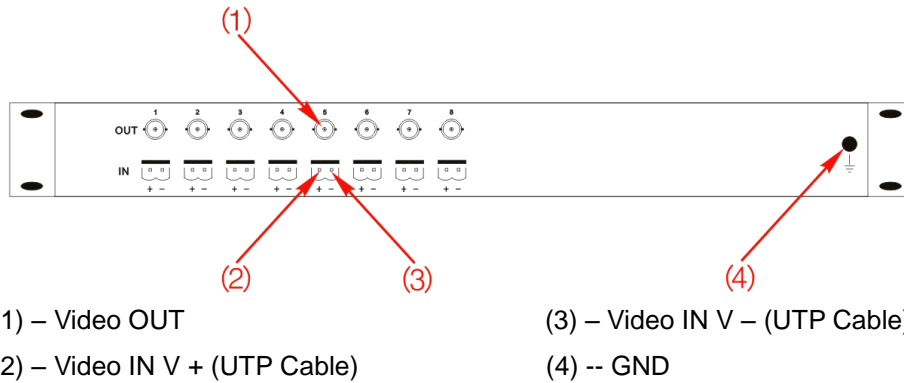
SJ-V-P8 is an 8-port video receiver hub with surge suppression. It is suitable for centralized mounting of big project. And it is very convenient in project installation.

Product Feature:

- ◆ Transmission distance of color signal via CAT5 or CAT6
Up to 300m (1000 ft) with passive transmitter
- ◆ No need to provide power
- ◆ Built-in transient protection
- ◆ Excellent anti-interference ability and stable performances



Product Terminal and Dimension Introduction:



Product Installation Instructions:

- ◆ Select one pair of UTP cable (It must be the same color) and respectively connect to VIDEO +/- of transmitter
- ◆ Connect the receiver hub video signal to the BNC terminal of display devices
- ◆ Connect GND terminal to the ground

Product Connection Diagram: